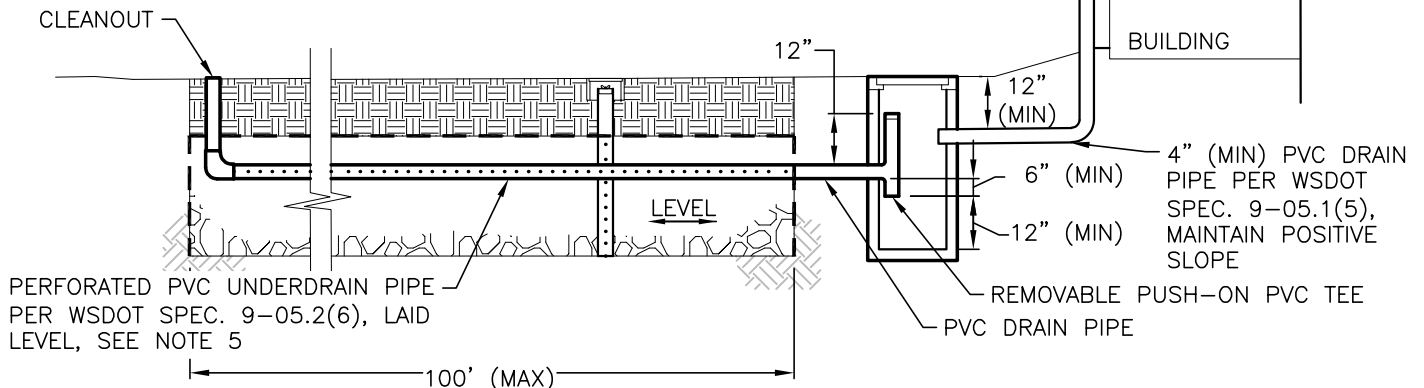


4" (MIN) DIA. OBSERVATION WELLS
SPACED 25' APART (MAX), 1
WELL (MIN) PER TRENCH

PLAN
NTS



PERFORATED PVC UNDERDRAIN PIPE
PER WSDOT SPEC. 9-05.2(6), LAID
LEVEL, SEE NOTE 5

4" (MIN) PVC DRAIN
PIPE PER WSDOT
SPEC. 9-05.1(5),
MAINTAIN POSITIVE
SLOPE

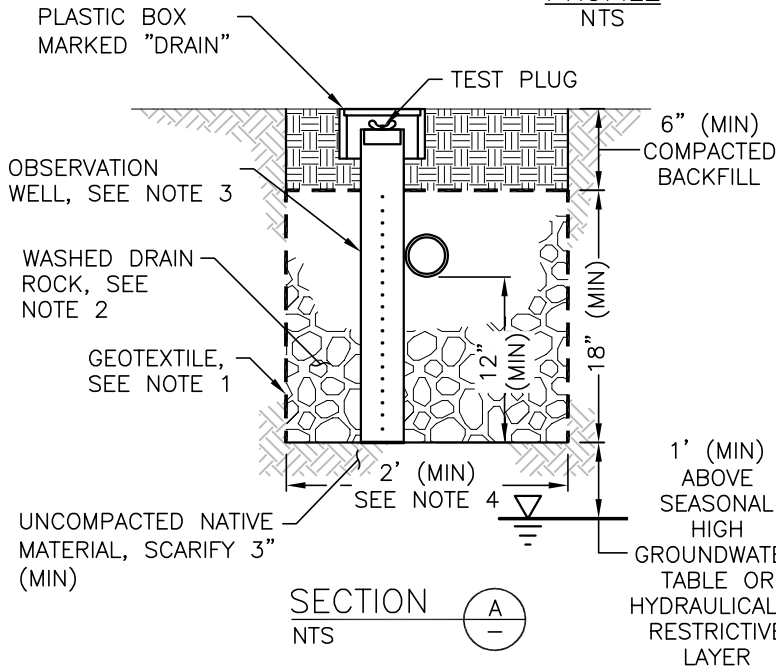
PROFILE
NTS

GENERAL NOTES:

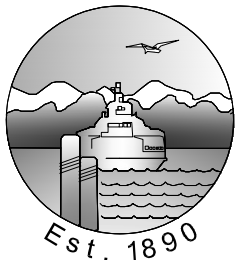
1. REFER TO THE 2022 CITY OF EDMONDS STORMWATER ADDENDUM FOR SETBACK (CHECKLIST 13) AND INFEASIBILITY REQUIREMENTS.
2. MIN COVER DEPTHS ASSUME NO VEHICULAR LOADING. DESIGNER TO SPECIFY COVER DEPTHS IF VEHICULAR TRAFFIC ANTICIPATED.

NOTES:

1. PLACE GEOTEXTILE FABRIC ALONG WALLS AND TOP OF WASHED ROCK. GEOTEXTILE SHALL CONFORM TO WSDOT SPEC. 9-33.2(1), GEOTEXTILE FOR SEPARATION, NON-WOVEN TYPE.
2. WASHED DRAIN ROCK SHALL CONFORM TO WSDOT SPEC. 9-03.12(5), GRAVEL BACKFILL FOR DRYWELLS.
3. OBSERVATION WELL SHALL CONFORM TO WSDOT SPEC. 9-05.2(6), PERFORATED PVC UNDERDRAIN PIPE.
4. MAXIMUM WIDTH SHALL BE 4 FEET TO MEET MINIMUM REQUIREMENT NO. 5 (SEE EDMONDS STORMWATER ADDENDUM).
5. 4 INCH DIA. PERFORATED PIPE FOR 2' TO LESS THAN 3' WIDE TRENCH. 6 INCH DIA. PERFORATED PIPE FOR 3'-4' WIDE TRENCH.



SECTION
NTS



CITY OF EDMONDS
PUBLIC WORKS
DEPARTMENT

**TYPICAL ROOF DOWNSPOUT
INFILTRATION TRENCH**

APPROVED BY: R. ENGLISH

REVISION DATE
SEPTEMBER 2023

STANDARD
DETAIL
SD-636